

SELECCIÓN
ADI · FAD 2005



actif

KAM Long throw jet nozzles

The jet nozzles of **KAM** series have been designed specifically to provide air diffusion into large spaces in HVAC systems.

- Nozzle adjustable manually or either by means of an actuator or by means of a thermo-reactive piston to avoid air stratification.
- Wall or ceiling mounting for long throw with directional control of the air stream.
- Large air volume capacity.

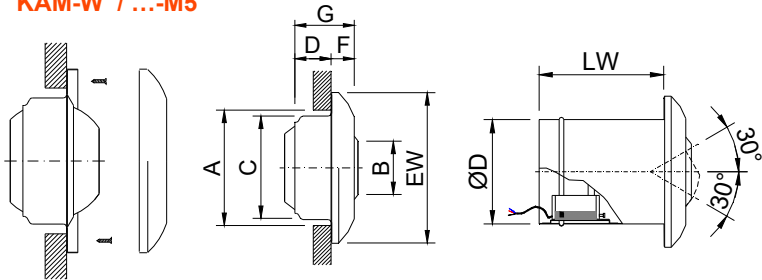
Product advantages:

- Manual version: Total flexibility of adjustment in all directions.
- ACTIF version: autonomously thermo-adjustable nozzle.
- **Benedito DESIGN** Jet nozzle with smooth lines that favor its architectural integration.

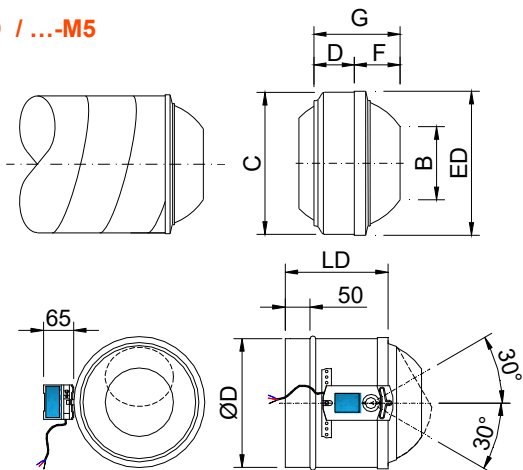


- Sport halls
- Halls
- Shopping centres

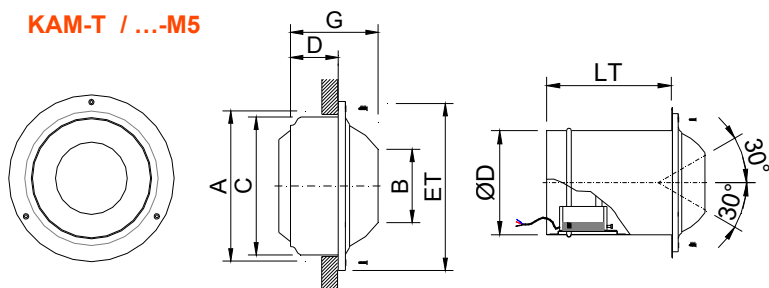
KAM-W / ...-M5



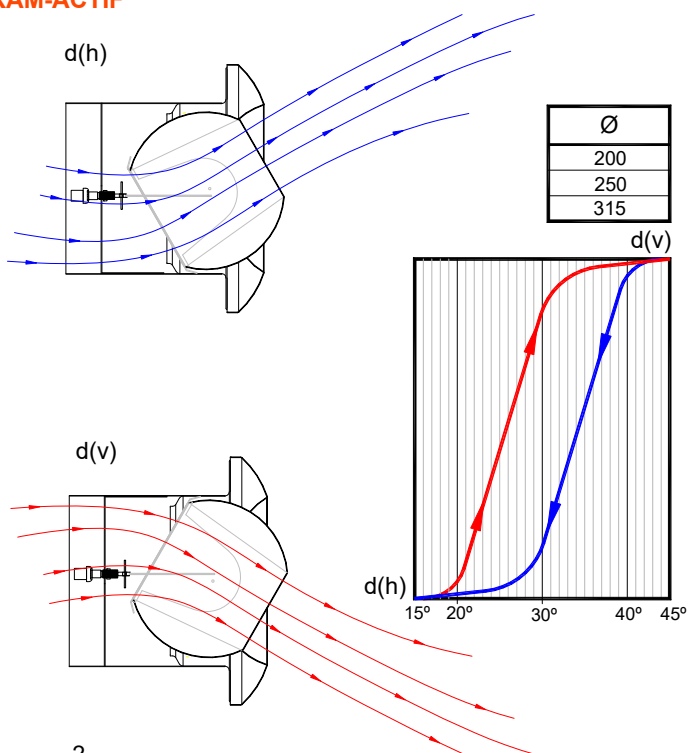
KAM-D / ...-M5



KAM-T / ...-M5



KAM-ACTIF



CLASSIFICATION

KAM-W Manually adjustable jet nozzle, suitable for wall or ceiling mounting. Installation by means of hidden screws behind the ring.

KAM-D Manually adjustable jet nozzle, suitable for mounting into a visible duct. Connection into a circular metallic duct.

KAM-T Manually adjustable jet nozzle, suitable for wall or ceiling mounting. Installation by means of visible screws.

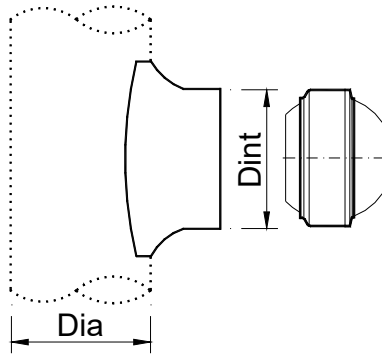
...-M5-24/230 Jet nozzle with adjustable angle of air supply by means of an On / Off actuator.

...-ACTIF Autonomous thermo-adjustable nozzle by means of a thermo-reactive piston. Time from 30° to 60°: 30 min.

Ø	A	B	C	D	EW	ED	ET	F	G
125	135	61	123	55	181	126	165	27	85
160	170	80	158	55	231	162	205	34	92
200	210	102	198	74	289	203	252	40	122
250	260	130	248	99	359	253	304	48	158
315	325	166	313	126	423	320	390	44	171
400	410	212	398	162	503	404	490	62	224

KAM	ØD	LW	LD	LT
250	248	302	199	302
315	313	330	211	330
400	398	390	222	390

IEH



MATERIAL

Jet nozzle constructed from aluminium. Seal of rotation from immutable material, classified M1 and F2 as regards fire and smoke safety.

ACCESSORIES

IEH Pressed collar saddle for KAM-D mounting into a visible circular duct.

FINISHES

R9016S Painted white RAL 9016 (60-70% gloss)

R9010S Painted white RAL 9010 (60-70% gloss)

R9016B Painted white RAL 9016 (85-95% gloss)

R9006M Painted aluminum color RAL 9006

(20-30% gloss)

RAL... Painted in other RAL colours

SPECIFICATION TEXT

Supply and mounting of manually adjustable long throw jet nozzle for wall mounting series **KAM-W R9010S dim. 125** constructed from aluminium, with seal of rotation from immutable material classified M1 and paint in white RAL 9010 (60-70% gloss) with hidden screws behind ring. Manufacturer **MADEL**.

RAL



KAM series

RECOMMENDED VELOCITY.

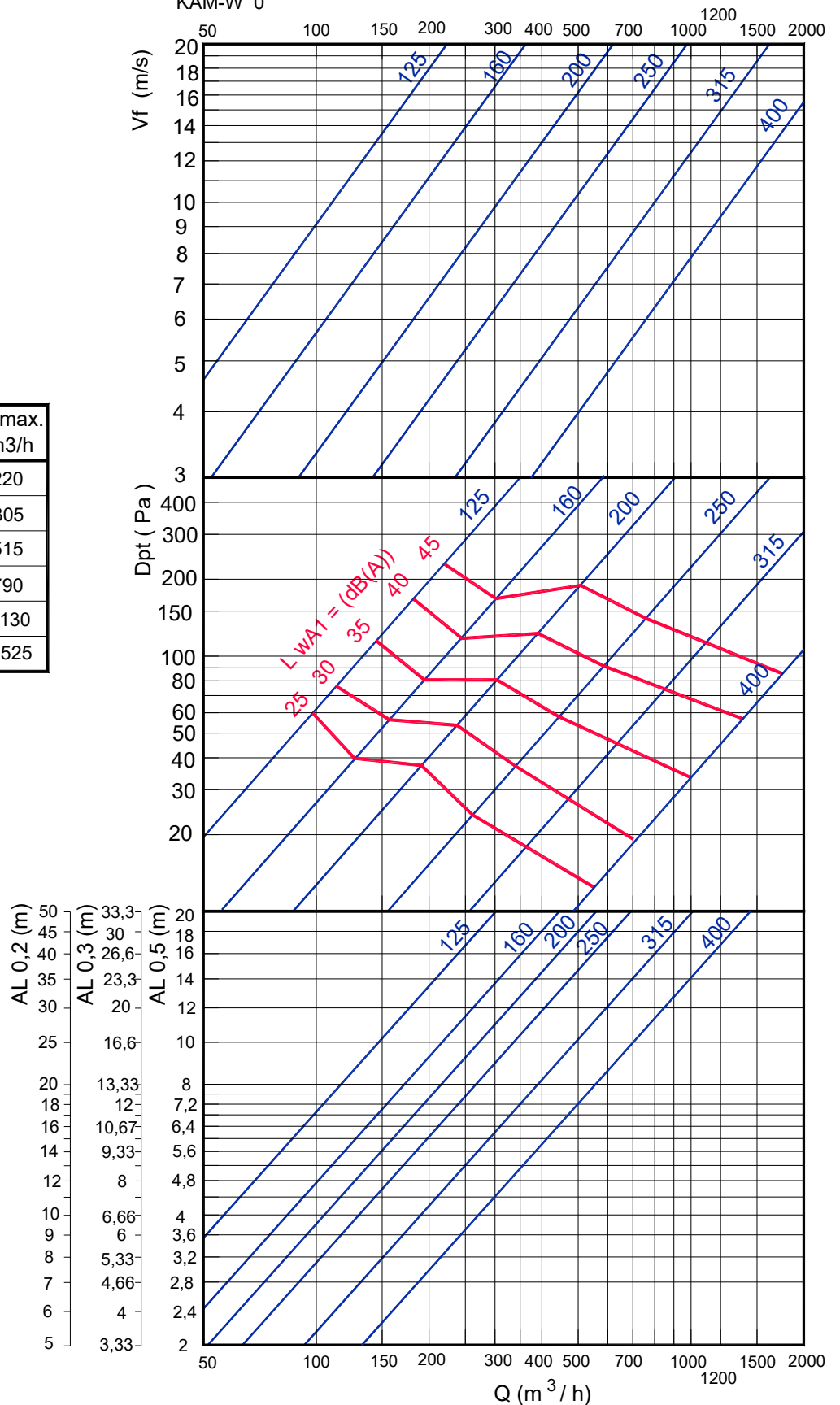
KAM	Vmin m/s	Vmax m/s
125	2,5	19,7
160	2,5	16,9
200	3	16,8
250	3,5	16,2
315	4	13,8
400	4	13,8

FREE FACE AREA (m2).

KAM	Ak m2	Afree m2	Qmin. m3/h	Qmax. m3/h
125	0,0123	0,0031	28	220
160	0,0201	0,005	45	305
200	0,0314	0,0085	92	515
250	0,0491	0,0135	170	790
315	0,0779	0,0226	325	1130
400	0,125	0,0353	500	1525

FREE VELOCITY, PRESSURE LOSS AND SOUND POWER LEVEL, THROW

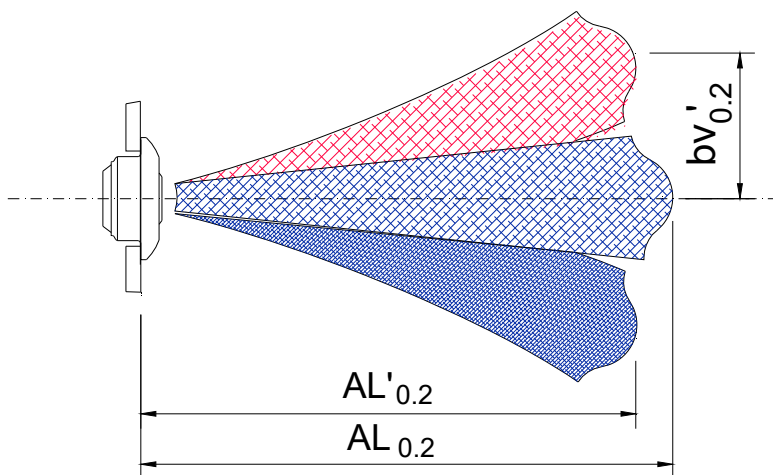
KAM-W 0°



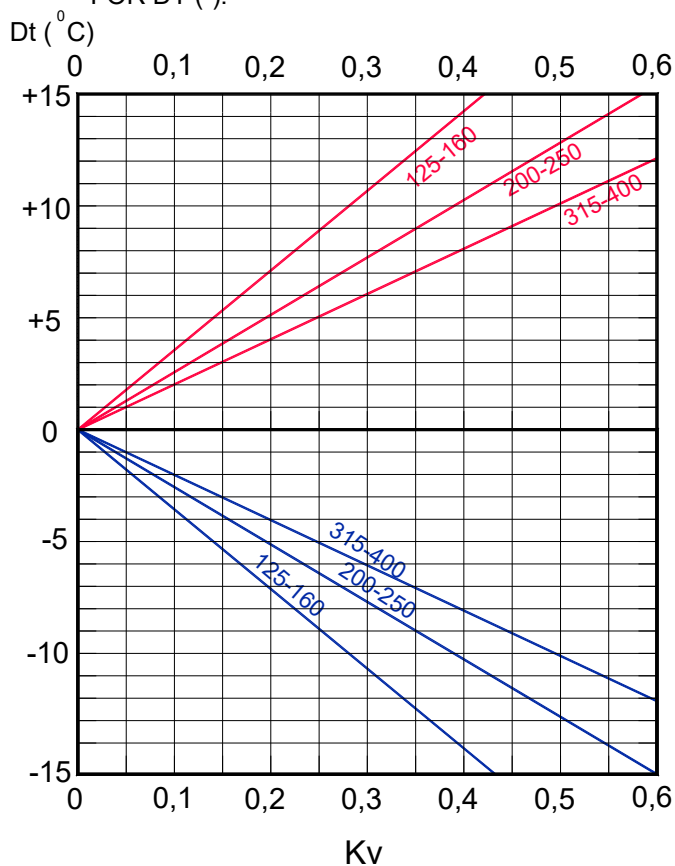
Note: In MadelMedia Octava band centre frequency in Hz.



KAM series



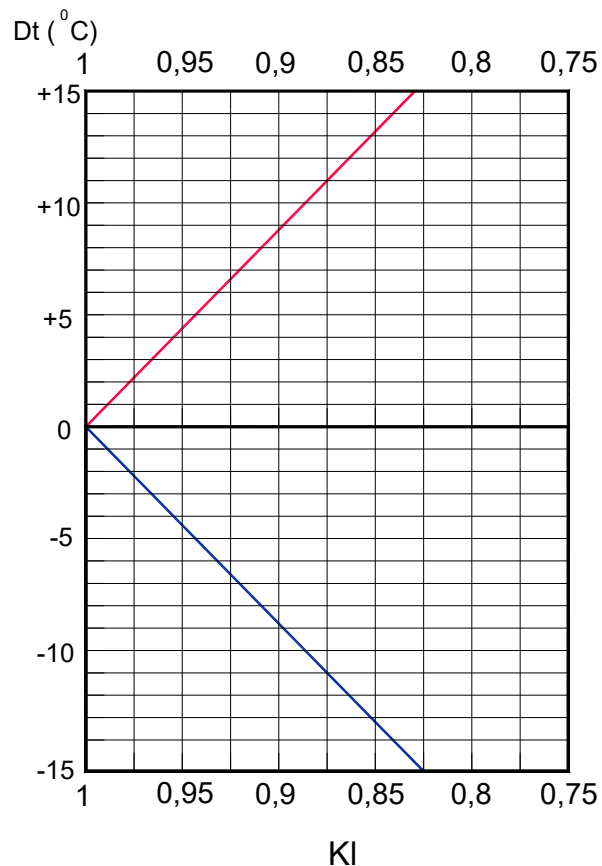
CORRECTION FACTOR FOR VERTICAL DIFFUSION (bv) FOR DT (-).



$$bv'_{0.2} = Kv \times Al_{0.2}$$

Kv = Correction factor for the vertical diffusion.

CORRECTION FACTOR FOR THROW (L_{0.2}) DT (-).

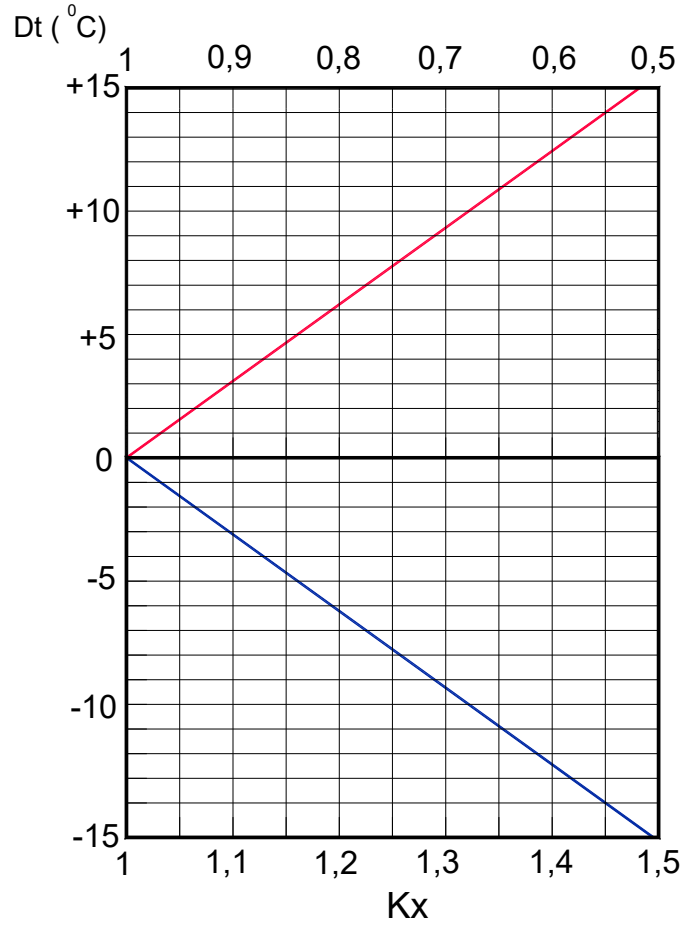
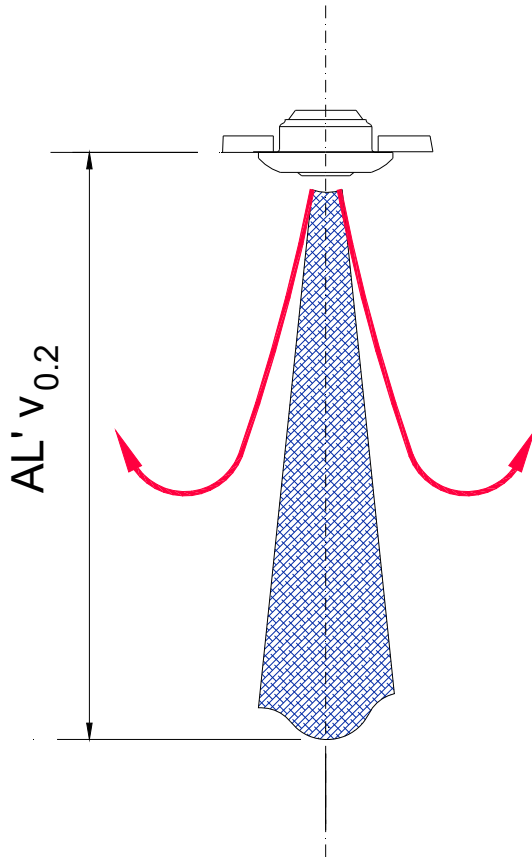


$$Al'_{0.2} = KI \times Al_{0.2}$$

KI = Correction factor for the throw.



CORRECTION FACTOR FOR VERTICAL THROW (Alv0,2) DT



$$AL' v_{0.2} = Kx \times AL_{0.2}$$